

# Wireless Loadshackle



## Features and benefits:

- Proprietary 2.4 GHz wireless
- Error free data transmission
- Industry Leading Wireless Range of 700m/2300ft
- Environmentally sealed to IP67/NEMA6
- Internal antennae
- Remote on/off
- Unrivalled resolution
- Unmatched battery life of 1200hrs
- Low headroom solution
- Manufactured using leading brand shackles
- Each WLS is supplied with a load-centering bobbin
- Design validated by F.E.A.

**Available from stock in capacities 3.25t to 120t and available up to 1,550t, the WLS is manufactured from Crosby's industry leading 2130 Carbon and 2140 Alloy Bolt Type Anchor Shackles (3.25te – 120te) and the GN H10 Alloy Bolt Type Anchor Shackle (200te on up).**

Straightpoint's Wireless Loadshackle provides the perfect solution to limited headroom applications. Each Wireless Loadshackle is proof tested, then equipped with a hard anodized aluminum electronics enclosure. Contained within this aluminum enclosure is a new internal chassis providing IP67/NEMA6 environmental protection even with the battery cover plate missing.

Featuring industry leading wireless technology and range of 700m/2300ft, the Wireless Loadshackle is supplied with an update rate of 3Hz and can be easily configured to run at industry leading speeds of up to 200Hz. Data is transmitted wirelessly utilizing the latest in IEEE 802.15.4 (2.4 GHz) technology providing safe, high integrity, error free transmission of both static weight and dynamic load to a wireless handheld controller or wireless Windows PC data logging software package. Straightpoint's wireless data logging software allows for simultaneous control, display and real time data logging of up to 100 Straightpoint telemetry load

cells. Logged data is captured in a .csv file format and opens in MS Excel providing easy visual presentation, analysis of logged data, and simple test certificate generation.

The Wireless Loadshackle may also be used with Straightpoint's SW-PTP software package allowing the operator to perform load tests at a safe distance and generate real time test certificates on site.

Straightpoint's Wireless Loadshackle utilizes easily sourced AA alkaline batteries and features advanced circuitry designed to protect the unit from damage associated with incorrectly installed batteries. This advanced circuitry extends battery life and the use of easily sourced alkaline batteries eliminates issues associated with rechargeable battery pack charging, failure and replacement. Straightpoint's huge range of tooling allows the engineers to calibrate in shackle for extra accuracy unlike many other load cell manufacturers.

A full array of wireless accessories are also available including signal boosters, LED wireless scoreboards and base stations with analogue (4-20mA, 0-10v, 0-5v) or digital (RS232/485, Modbus RTU, and ASCII serial communications protocol) outputs. There is no better choice than Straightpoint's Wireless Loadshackle for limited headroom applications.



**making the lifting industry a safer place**

Also available with hazardous area approval



**ATEX / IECEx**

**Ex ia IICT4 Ga**

Certification numbers:

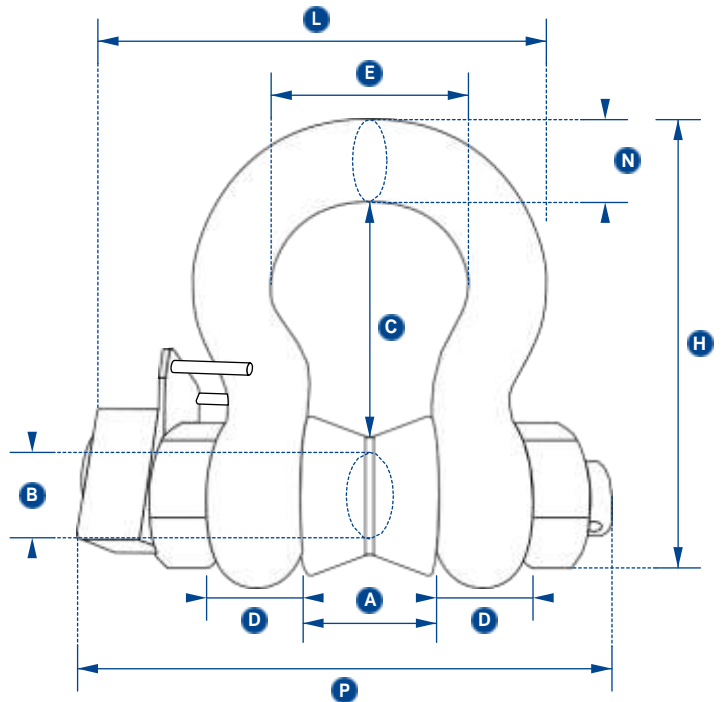
**WLS ATEX**

IECEX SIR 16.0041X / Sira 16ATEX2108X

**SW-HHP ATEX**

IECEX SIR 15.0072X / Sira 15ATEX2196X

**Add 'ATEX' to the part number when ordering ATEX/IECEX products. For example: WLS3.25T-ATEX**



Part Number	WLS3.25T	WLS6.5T	WLS12T	WLS25T	WLS55T	WLS85T	WLS120T	WLS200T	WLS300T	WLS400T
Capacity	3.25te	6.5te	12te	25te	55te	85te	120te	200te	300te	400te
	7150lb	14300lb	26400lb	55000lb	120000lbs	185000lbs	260000lbs	440000lbs	660000lbs	880000lbs
Resolution	0.005te	0.005te	0.01te	0.02te	0.05te	0.05te	0.1te	0.2te	0.5te	0.5te
	10lb	10lb	20lb	50lb	100lb	100lb	200lb	200lb	1000lb	1000lb
Units	tonne lb									
Weight	2.8kg	3.2kg	8kg	18kg	25kg	45kg	85kg	254kg	374kg	614kg
	6.16lb	7lb	17.6lb	40lb	55lb	99lb	187lb	560lb	825lb	1354lb
Safety Factor	5:1 when used with load bobbin									
Battery Type	Load cell 4 x AA   Ex Loadcell 4 x Energizer® Ultimate Lithium AA Batteries									
Battery Life	Load cell 1,200 hours continuous									
Operating Temp	-10°C to +50°C / 14°F to 122°F									
Accuracy	±1% of applied load									
Frequency	2.4 GHz									
System Range	700 metres / 2300 feet									
Data Rate	3 updates per second									
Protection	IP67 / NEMA 6									
Dimension A	26.9	36.6	51.5	73	82.5	105	127	180	205	230
	1.06"	1.44"	2.03"	2.87"	3.25"	4.13"	5.00"	7.09"	8.07"	9.06"
Dimension ØB	19.1	25.4	35.1	51	57	70	82.5	125	150	175
	0.75"	1.00"	1.38"	2.01"	2.24"	2.76"	3.25"	4.92"	5.91"	6.89"
Dimension C	56.9	79.7	113	170	189.5	253	319.5	334	398	440
	2.24"	3.14"	4.45"	6.69"	7.46"	9.96"	12.58"	13.15"	15.67"	17.32"
Dimension D	16	22.4	31.8	44.5	51	66.5	76	120	130	165
	0.63"	0.88"	1.25"	1.75"	2.01"	2.62"	2.99"	4.72"	5.12"	6.50"
Dimension E	42.9	58	82.5	127	164	184	200	290	305	325
	1.69"	2.28"	3.25"	5.00"	6.46"	7.24"	7.87"	11.42"	12.01"	12.80"
Dimension H	106	148	210	313	348	453	546	810	950	1100
	4.17"	5.83"	8.27"	12.32"	13.70"	17.83"	21.50"	31.89"	37.40"	43.31"
Dimension L	127.1	156.5	196	281	306	368	408	580	615	705
	5.00"	6.16"	7.72"	11.06"	12.05"	14.49"	16.06"	22.83"	24.21"	27.76"
Dimension N	17.5	24.6	35.1	57	61	79	92	120	130	165
	0.69"	0.97"	1.38"	2.24"	2.40"	3.11"	3.62"	4.72"	5.12"	6.50"
Dimension P	143	173	218	293	317	394	441	565	615	711
	5.63"	6.81"	8.58"	11.54"	12.48"	15.51"	17.36"	22.24"	24.21"	27.99"