

Please note: Please advise cable configuration on order - Radial or Axial pin exit.
If you require a Loadpin to a particular size and design, download Straightpoint's Loadpin questionnaire and return, POA. www.straightpoint.com/loadpin.html

Applications:

- Marine tankers, offshore platforms
- Elevator and floor conveyor testing and certification
- Bearing blocks, pivots and shackles
- Cable laying equipment
- Rope, chain, and brake anchors
- Bridge support cables
- Mooring lines
- Pulleys and sheaves
- Crane cables
- Hoisting gear
- Winches
- Design validated by F.E.A.



Requires connection to Straightpoint's Handheld plus (HHP), Desktop Controller data logging software (DCP10M) or External Amplifier range (SA-3420) that can be configured to provide outputs such as 4-20mA, 0-10v, 0-5v for PLC or data logger integration.

The Straightpoint range of Load Measurement Pins (LMP's) are designed for use in applications where an end of line load cell cannot be used an integrated solution is required.

Often a customised solution they are manufactured from high tensile stainless steel and are normally supplied complete with an anti-rotation plate as a cabled or wireless solution.

Built to withstand the harshest environments in industries such as marine and offshore oil and gas they are suitable for use in exposed situations and can be supplied to withstand immersion in seawater to extreme depths.

Straightpoint Loadpins are typically connected to Straightpoint's Handheld plus or may be supplied with a vast array of output formats to include mV/V, RS-422, RS-485, utilising the ASCII, MODBUS TRU and CAN-BUS protocols or an analogue output such as 4-20mA for PLC integration. They are

also supplied with a 10 metre / 32ft cable as standard however usable cable length varies greatly with lengths available to 1500 metres / 4900ft depending on output format.

Please email your enquiry to: sales@straightpoint.com



**Wireless version available
with hazardous area approval**



ATEX / IECEX
Ex ia II C T4 Ga

Certification numbers:

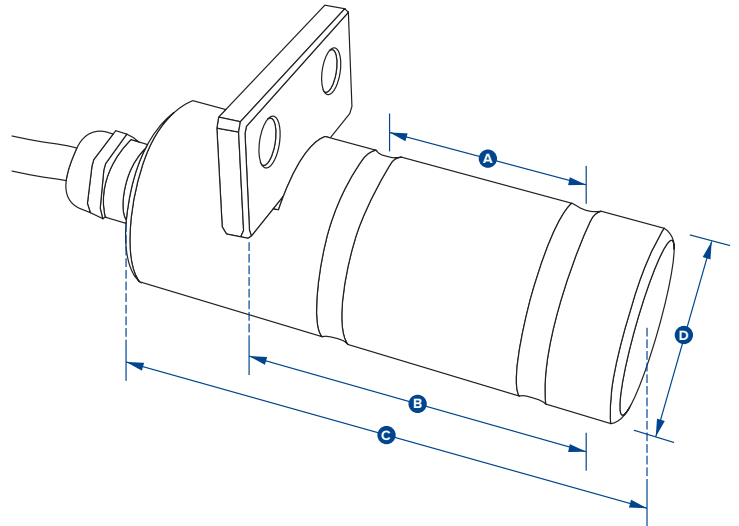
LP ATEX

IECEX SIR 16.0041X / Sira 16ATEX2108X

SW-HHP ATEX

IECEX SIR 15.0072X / Sira 15ATEX2196X

**Add 'ATEX' to the part number
when ordering ATEX/IECEX products.
For example: LP500KG-ATEX**



Part Number	LP500KG	LP1T	LP2.5T	LP3.5T	LP6.5T	LP15T	LP25T	LP50T	LP100T	LP250T	LP500T	LP750T	LP1000T	LP1500T
Capacity	500kg	1000kg	2.5te	3.5te	6.5te	15te	25te	50te	100te	250te	500te	750te	1000te	1500te
	1100lb	2200lb	5500lb	7700lb	14000lb	33000lb	55000lb	110000lb	220000lb	550000lb	1100000lb	1650000lb	2200000lb	3300000lb
Resolution	2kg	0.5kg	0.001te	0.001te	0.002te	0.002te	0.005te	0.01te	0.05te	0.1te	0.2te	0.2te	0.5te	0.5te
	0.5lb	1lb	2lb	2lb	5lb	5lb	10lb	20lb	100lb	200lb	500lb	500lb	1000lb	1000lb
Units	kgs, tonnes													
	lbs													
Weight	0.9kg	1kg	1.2kg	1.4kg	2kg	3.1kg	5.6kg	8.6kg	11.8kg	29.8kg	79.2kg	146kg	275kg	389kg
	0.4lb	0.5lb	0.9lb	1.3lb	2.6lb	5lb	10.3lb	18lb	24lb	64lb	172lb	319lb	603lb	854lb
Safety Factor	300% of SWL													
Operating Temp	-20°C to +70°C / -4°F to 158°F													
Accuracy	±1% of applied load													
Protection	IP67 (IP68 available as an option) / NEMA 6 (NEMA 6P available on application)													
Dimension A	24	35	45	50	63	75	89	102	110	130	225	295	360	430
	0.94"	1.38"	1.77"	1.97"	2.48"	2.95"	3.50"	4.02"	4.33"	5.12"	8.86"	11.61"	14.17"	16.93"
Dimension B	36	49	70	75	95	114	152	178	190	220	370	500	612	731
	1.42"	1.93"	2.76"	2.95"	3.74"	4.49"	5.98"	7.01"	7.48"	8.66"	14.57"	19.69"	24.09"	28.78"
Dimension C	70	80	100	105	125	150	195	225	230	300	440	590	712	832
	2.76"	3.15"	3.94"	4.13"	4.92"	5.91"	7.68"	8.86"	9.06"	11.81"	17.32"	23.23"	28.03"	32.76"
Dimension ØD	20	20	25	30	40	50	63	75	88	125	170	200	250	275
	0.79"	0.79"	0.98"	1.18"	1.57"	1.97"	2.48"	2.95"	3.46"	4.92"	6.69"	7.87"	9.84"	10.83"